

The Harvester KM 634-3Z has been developed especially for telescopic forklifts. During the sawing process, the three robust tines of the integrated grab hold the log firmly and securely. Available in two sizes.

- ▷ **Three interlocking, robust tines** made of Hardox 400 steel.
- ▷ **Automatic re-stress** of the grab during the sawing process. The re-stress can be stopped by a lever to cut e.g. single branches separately.
- ▷ **Optimum grab design** allows to clamp even very thin logs.
- ▷ Saw equipped with **automatic chain pretension and greasing**.
- ▷ Precise positioning thanks to the **worm drive**. High torque.
- ▷ **Highly safe hydraulics** due to an integrated non-return valve, so the load is held safely even in the case of pressure drops.
- ▷ **8/3 solenoid valve** included to operate the grab with only one control circuit.



Harvester KM 634-3Z

Type	Capacity (cords)	Widths E1 / E2 / (E3) (in)	Log-Ø D max. (in)	Log-Ø min. (in)	Opening A max. (in)	Weight (lbs)	Closing force (lbs)	Torque (ft.lbs.)	Load capacity (lbs)
KM 634-0,25-3Z	0.17	13.8 / 39.4	20.5	1.9	57.9	1,389	2,923	8,851	2,756
KM 634-0,35-3Z	0.24	16.9 / 52.2 / (60.6)	24.6	2	67.3	2,094	4,046	1,0621	4,409

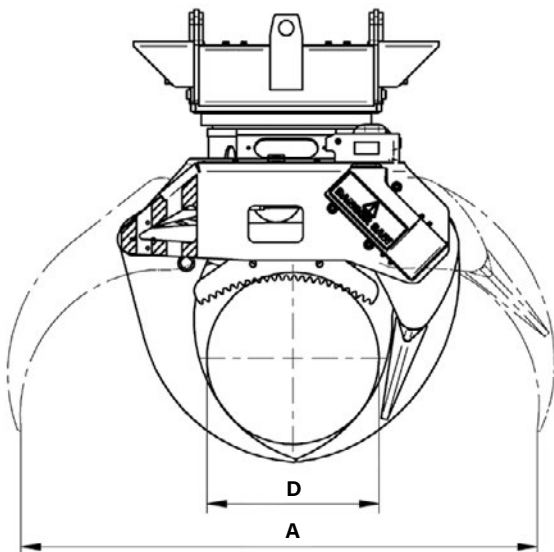
Package consists of: harvester, rotation with worm drive, quick change adapter for telescopic fork lift, 8/3 solenoid valve, non-return valve

Requirements of truck crane

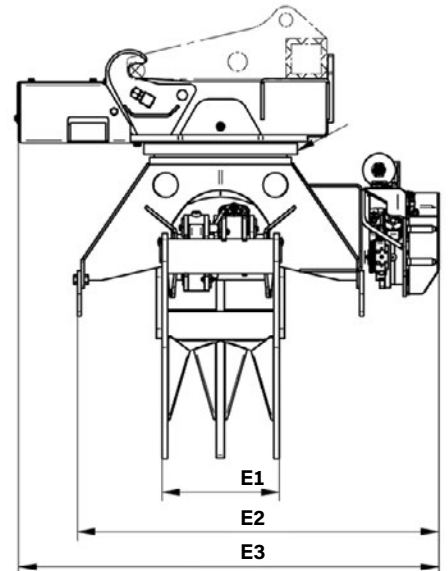
	KM 634-0,25-3Z	KM 634-0,35-3Z
Operating pressure (open/close):	max. 3,500 psi	max. 4,060 psi
Operating pressure (rotate):	2,450 psi	2,900 psi
Recommended oil flow (open/close):	16 to 26.5 GPM	20 to 32 GPM
Recommended oil flow (rotate):	5 to 13 GPM	5 to 13 GPM

Mind the pressures!

Technical drawings



KM 634-0,35-3Z



KM 634-0,25-3Z