

Multi-Quick Processor up to 50t / 110,000lbs

MQP

Used for cutting and crushing concrete with steel reinforcement and cutting steel structures, the **KINSHOFER** Multi-Quick Processor with DemaPower and DemaLink, was developed for primary and secondary demolition. It has seven convenient jaw options: combi, demolition, pulveriser, steel, tank, universal and wood jaws.

- ▷ The patented DemaPower cylinder provides **up to 20% more power** and reduces **cycle times to under 5 seconds**.
- ▷ **Rotation circuit filters**.
- ▷ Twin rotation motors for **extra rotation power**.
- ▷ Guide plate at pivot point for more **precise alignment** and **greater jaw stability**.
- ▷ **All teeth and cutting blades are exchangeable**.
- ▷ Bearing points engineered for **optimum load handling** and **reduced wear**.
- ▷ With the integrated DemaLink the **jaw set can be exchanged** on site in **less than 10 minutes**.



MQP with Combi-jaws

Multi-Quick Processor MQP without jaws

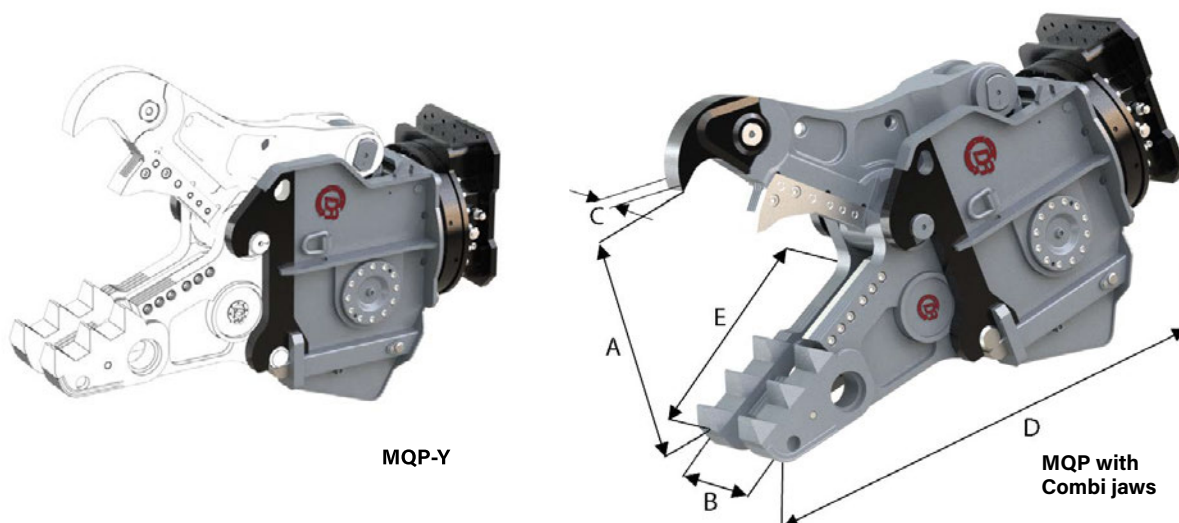
Type	Operating weight (t/lbs)	Weight (kg/lbs)	Height (mm/in)	Width (mm/in)	Depth (mm/in)	Cycle times (open / close) (sec)
MQP-25-Y	18 - 25 / 39,600 - 55,000	1,215 / 2,673	1,095 / 43.1	640 / 25.2	1,130 / 44.5	1.5 / 2.3
MQP-30-Y	22 - 35 / 48,400 - 77,000	1,490 / 3,278	1,205 / 47.4	720 / 28.3	1,190 / 46.9	2.0 / 2.3
MQP-45-Y	32 - 50 / 70,400 - 110,000	1,825 / 4,015	1,330 / 52.4	720 / 28.3	1,290 / 50.8	2.0 / 2.9

Package consists of: Multi-Quick Processor, integrated rotation with 2 motors

Requirements of carrier machine

	MQP-25	MQP-30	MQP-45
Operating pressure (open/close):	max. 38 MPa (380 bar) / 5,510 psi	max. 38 MPa (380 bar) / 5,510 psi	max. 38 MPa (380 bar) / 5,510 psi
Pump capacity (open/close):	120 - max. 200 l/min/ 32 - max. 53GPM	150 - max. 250 l/min/ 40 - max. 66 GPM	200 - max. 300 l/min/ 53 - max. 79.5 GPM
Operating pressure (rotate):	max. 14 MPa (140 bar) / 2,030 psi	max. 14 MPa (140 bar) / 2,030 psi	max. 14 MPa (140 bar) / 2,030 psi
Pump capacity (rotate):	40 - max. 60 l/min/ 10.5 - max. 16 GPM	40 - max. 60 l/min/ 10.5 - max. 16 GPM	40 - max. 60 l/min/ 10.5 - max. 16 GPM

Technical drawing



MQP-Y

MQP with Combi jaws

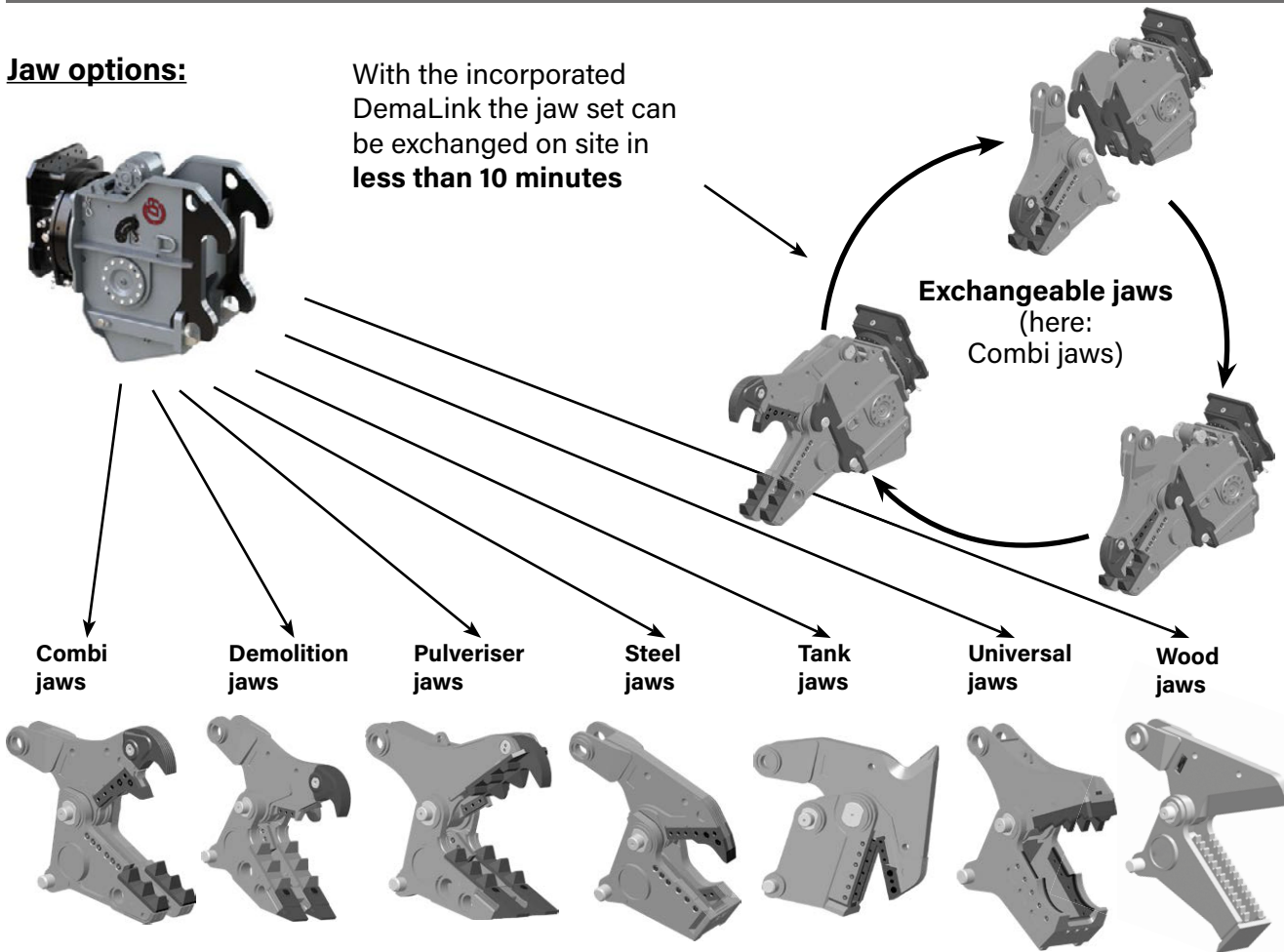
Request? exc@kinshofer.com

Multi-Quick Processor Jaws up to 50t / 110,000lbs

MQP

Jaw options:

With the incorporated DemaLink the jaw set can be exchanged on site in less than 10 minutes



Request? exc@kinshofer.com

Multi-Quick Processor Jaws

Type	Weight (complete with yoke) (kg/lbs)	Weight jaw set (kg/lbs)	Closing force* (t/lbs)	Jaw opening A (mm/in)	Jaw depth E (mm/in)	Lower jaw width B (mm/in)	Upper jaw width C (mm/in)	Height D (mm/in)
Combi jaws:								
MQP-25-C	2,060 / 4,532	845 / 1,859	85 / 187,000	785 / 30.9	810 / 31.9	375 / 14.8	90 / 3.5	1,940 / 76.4
MQP-30-C	2,680 / 5,896	1,190 / 2,618	100 / 220,000	870 / 34.3	920 / 36.2	440 / 17.3	100 / 3.9	2,155 / 84.8
MQP-45-C	3,365 / 7,403	1,540 / 3,388	130 / 286,000	980 / 38.6	990 / 39.0	450 / 17.7	100 / 3.9	2,360 / 92.9
Demolition jaws:								
MQP-25-D	2,085 / 4,587	870 / 1,914	90 / 198,000	815 / 32.1	810 / 31.9	460 / 18.1	90 / 3.5	1,980 / 78
MQP-30-D	2,690 / 5,918	1,200 / 2,640	105 / 231,000	870 / 34.3	900 / 35.4	470 / 18.5	100 / 3.9	2,160 / 85
MQP-45-D	3,405 / 7,491	1,580 / 3,476	130 / 286,000	990 / 39.0	960 / 37.8	515 / 20.3	100 / 3.9	2,355 / 92.7
Pulveriser jaws:								
MQP-25-P	2,100 / 4,620	885 / 1,947	85 / 187,000	790 / 31.1	810 / 31.9	400 / 15.7	325 / 12.8	1,980 / 78.0
MQP-30-P	2,665 / 5,863	1,175 / 2,585	100 / 220,000	880 / 34.6	830 / 32.7	470 / 18.5	350 / 13.8	2,165 / 85.2
MQP-45-P	3,450 / 7,590	1,625 / 3,575	130 / 286,000	980 / 38.6	945 / 37.2	515 / 20.3	400 / 15.7	2,355 / 92.7
Steel jaws:								
MQP-25-S	1,985 / 4,367	770 / 1,694	300 / 660,000	370 / 14.6	560 / 22.0	320 / 12.6	100 / 3.9	1,965 / 77.4
MQP-30-S	2,460 / 5,412	970 / 2,134	340 / 748,000	410 / 16.1	600 / 23.6	355 / 14.0	120 / 4.7	1,910 / 75.2
MQP-45-S	3,130 / 6,886	1,305 / 2,871	415 / 913,000	465 / 18.3	700 / 27.6	375 / 14.8	120 / 4.7	2,105 / 82.9
Tank jaws:								
MQP-25-T	2,130 / 4,686	915 / 2,013	295 / 649,000	333 / 13.1	570 / 22.4	265 / 10.4	100 / 3.9	1,910 / 75.2
MQP-30-T	2,710 / 5,962	1,220 / 2,684	360 / 792,000	335 / 13.2	575 / 22.6	305 / 12.0	120 / 4.7	2,070 / 81.5
MQP-45-T	3,320 / 7,304	1,495 / 3,289	460 / 101,200	390 / 15.4	630 / 24.8	305 / 12.0	120 / 4.7	2,275 / 89.6
Universal jaws:								
MQP-30-U	2,640 / 5,808	1,150 / 2,530	110 / 242,000	590 / 23.2	790 / 31.1	500 / 19.7	280 / 11.0	2,040 / 80.3
MQP-45-U	3,195 / 7,029	1,370 / 3,015	145 / 319,000	670 / 26.4	830 / 32.7	525 / 20.7	310 / 12.2	2,225 / 87.6
Wood jaws:								
MQP-30-W	2,565 / 5,643	1,075 / 2,365	85 / 187,000	1,005 / 39.6	880 / 34.6	360 / 14.2	90 / 3.5	2,175 / 85.6

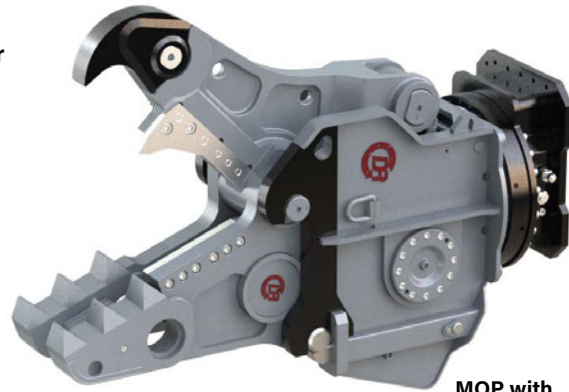
* closing force for C-, D-, P-, U- and W-jaw measured at front tooth, for S- and T-jaw measured at mid point of inner blade

Multi-Quick Processors up to 65t / 143,000lbs

MQP

Used for cutting and crushing concrete with steel reinforcement and cutting steel structures, the **KINSHOFER** Multi-Quick Processor with DemaPower and DemaLink was developed for primary and secondary demolition. It has six convenient jaw options: combi, demolition, pulveriser, steel, tank, universal and wood jaws.

- ▷ The patented DemaPower cylinder provides **up to 20% more power** and reduces **cycle times to under 5 seconds**.
- ▷ **Rotation circuit filters.**
- ▷ Twin rotation motors for **extra rotation power**.
- ▷ Guide plate at pivot point for more **precise alignment** and **greater jaw stability**.
- ▷ **All teeth and cutting blades are exchangeable.**
- ▷ Bearing points engineered for **optimum load handling** and **reduced wear**.
- ▷ With the integrated DemaLink the **jaw set can be exchanged** on site in **less than 10 minutes**.



MQP with
Combi jaws

Multi-Quick Processor MQP without jaws

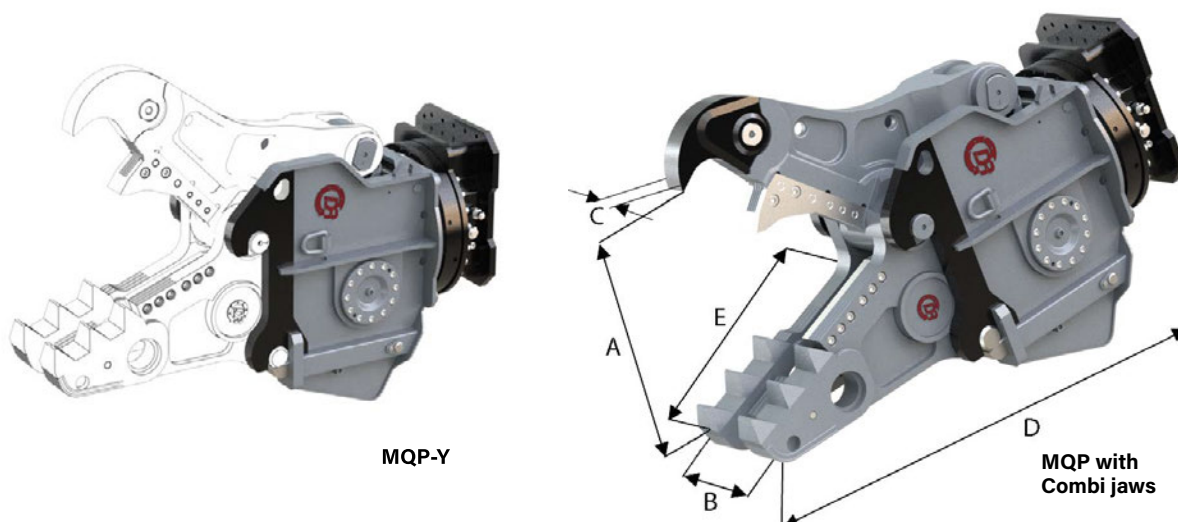
Type	Operating weight (t/lbs)	Weight (kg/lbs)	Height (mm/in)	Width (mm/in)	Depth (mm/in)	Cycle times (open / close) (sec)
MQP-45-Y	32 - 50 / 70,400 - 110,000	1,825 / 4,015	1,330 / 52.4	720 / 28.3	1,290 / 50.8	2.0 / 2.9
MQP-60-Y	45 - 65 / 99,000 - 143,000	2,440 / 5,368	1,450 / 57.1	880 / 34.6	1,485 / 58.5	2.0 / 2.8

Package consists of: Multi-Quick Processor, integrated rotation with 2 motors

Requirements of carrier machine

	MQP-45	MQP-60
Operating pressure (open/close):	max. 38 MPa (380 bar) / 5,510 psi	max. 38 MPa (380 bar) / 5,510 psi
Pump capacity (open/close):	200 - max. 300 l/min / 53.0 - max. 79.5 GPM	300 - max. 400 l/min / 79.5 - max. 105.0 GPM
Operating pressure (rotate):	max. 14 MPa (140 bar) / 2,030 psi	max. 14 MPa (140 bar) / 2,030 psi
Pump capacity (rotate):	40 - max. 60 l/min / 10.5 - max. 16.0 GPM	40 - max. 60 l/min / 10.5 - max. 16.0 GPM

Technical drawings



MQP-Y

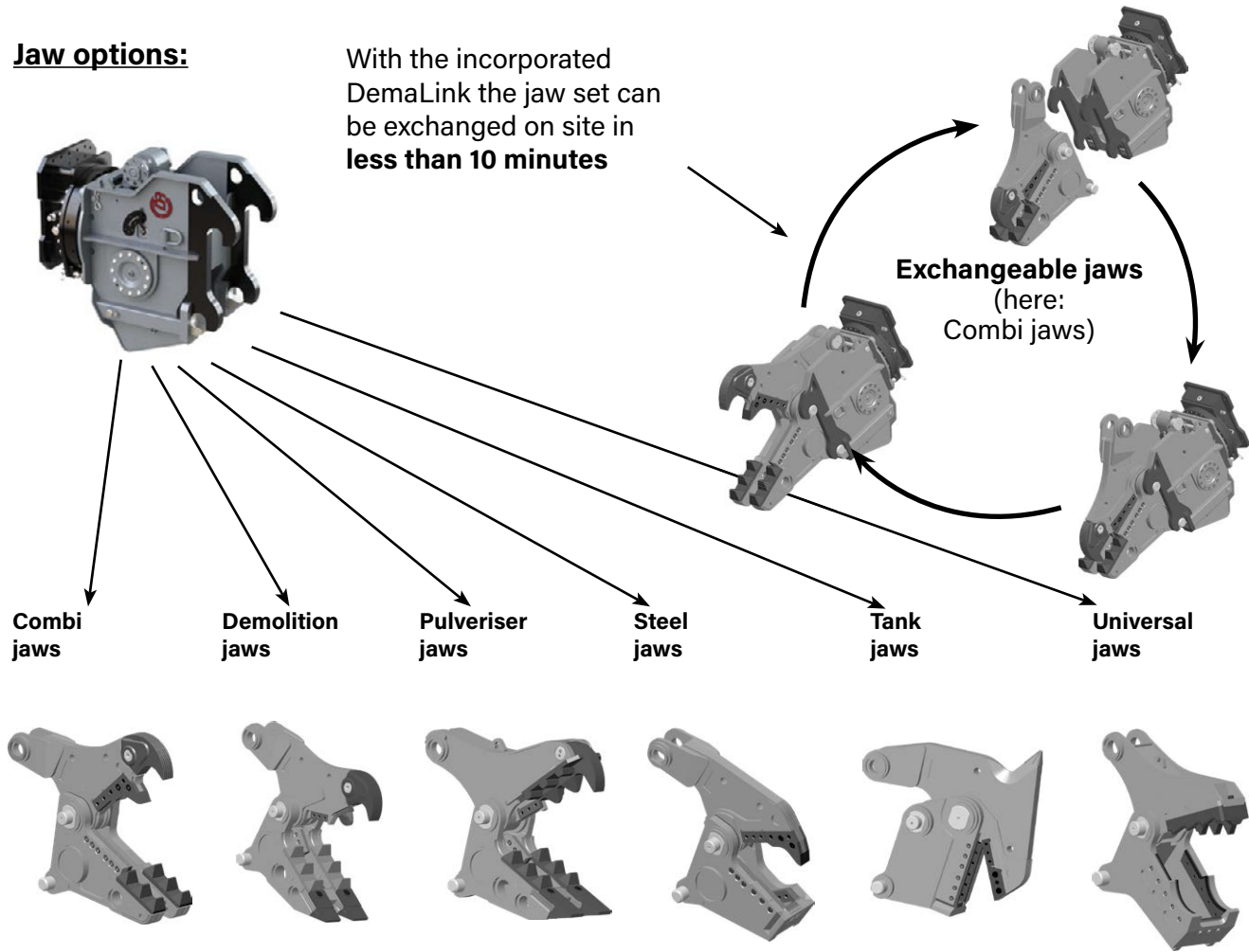
MQP with
Combi jaws

Multi-Quick Processor Jaws up to 65t / 143,000lbs

MQP

Jaw options:

With the incorporated DemaLink the jaw set can be exchanged on site in less than 10 minutes



Request? exc@kinshofer.com

Multi-Quick Processor Jaws

Type	Weight (complete with yoke) (kg/lbs)	Weight jaw set (kg/lbs)	Closing force* (t/lbs)	Jaw opening A (mm/in)	Jaw depth E (mm/in)	Lower jaw width B (mm/in)	Upper jaw width C (mm/in)	Height D (mm/in)
Combi jaws:								
MQP-45-C	3,365 / 7,403	1,540 / 3,388	130 / 286,000	980 / 38.6	990 / 39	450 / 17.7	100 / 3.9	2,360 / 92.9
MQP-60-C	4,525 / 9,955	2,085 / 4,587	150 / 330,000	1,150 / 45.3	1,050 / 41.3	480 / 18.9	100 / 3.9	2,600 / 102.4
Demolition jaws:								
MQP-45-D	3,405 / 7,491	1,580 / 3,476	130 / 286,000	990 / 39	960 / 37.8	515 / 20.3	100 / 3.9	2,355 / 92.7
MQP-60-D	4,495 / 9,889	2,055 / 4,521	150 / 330,000	1,175 / 46.3	1,090 / 42.9	550 / 21.7	100 / 3.9	2,620 / 103.1
Pulveriser jaws:								
MQP-45-P	3,450 / 7,590	1,625 / 3,575	130 / 286,000	980 / 38.6	945 / 37.2	515 / 20.3	400 / 15.7	2,355 / 92.7
MQP-60-P	4,565 / 10,043	2,125 / 4,675	150 / 330,000	1,150 / 45.3	1,090 / 42.9	550 / 21.7	450 / 17.7	2,620 / 103.1
Steel jaws:								
MQP-45-S	3,130 / 6,886	1,305 / 2,871	415 / 913,000	465 / 18.3	700 / 27.6	375 / 14.8	120 / 4.7	2,105 / 82.9
MQP-60-S	4,315 / 9,493	1,875 / 4,125	465 / 1,023,000	540 / 21.3	750 / 29.5	410 / 16.1	120 / 4.7	2,335 / 91.9
Tank jaws:								
MQP-45-T	3,320 / 7,304	1,495 / 3,289	460 / 1,012,000	390 / 15.4	630 / 24.8	305 / 12.0	120 / 4.7	2,275 / 89.6
MQP-60-T	4,460 / 9,812	2,020 / 4,444	655 / 1,441,000	400 / 15.7	660 / 26.0	355 / 14.0	150 / 5.9	2,415 / 95.1
Universal jaws:								
MQP-45-U	3,195 / 7,029	1,370 / 3,014	145 / 319,000	670 / 26.4	830 / 32.7	525 / 20.7	310 / 12.2	2,225 / 87.6
MQP-60-U	4,425 / 9,735	1,985 / 4,367	180 / 396,000	820 / 32.3	880 / 34.6	590 / 23.2	340 / 13.4	2,470 / 97.2

* closing force for C-, D-, P-, U- and W-jaw measured at front tooth, for S- and T-jaw measured at mid point of inner blade