

With the compact RC rotary coupler you increase the freedom of movement in the entire working area of the excavator. Thanks to the robust and low construction (it is firmly bolted to the boom), the maximum breakaway and ripping forces are achieved.

In addition to the usual movement, each attachment can be endlessly rotated by 360°. This enables more flexible and faster work without moving the excavator.

The newly gained freedom of movement allows work to be carried out more precisely, which saves additional manual work steps.

Here in combination with the proven S-Lock quick coupling system.



RC06

- ▷ Compact and low design.
- ▷ More flexibility due to 360° rotation.
- ▷ Low height – thus high breakaway force.
- ▷ Low maintenance.
- ▷ Lower quick coupler with mechanic or hydraulic locking available.

Request? buc@kinshofer.com

Mechanic Rotary Couplers RC KMS-S

Type	Width A (mm/in)	Width B (mm/in)	Height C (mm/in)	Weight* (from kg/lbs)	Rotations/min (@l/min / GPM)	Torque** (kNm/ft.lb)	Operating weight (t/lbs)
RC02 KMS30S-150	150 / 5.9	120 / 4.7	84 / 3.3	30 / 66	8.5@4 / 1.1	0.6 / 443	0.9 - 2.6 / 1,980 - 5,720
RC02 KMS30S-180	150 / 5.9	120 / 4.7	84 / 3.3	30 / 66	8.5@4 / 1.1	0.6 / 443	0.9 - 2.6 / 1,980 - 5,720
RC04 KMS40S	150 / 5.9	120 / 4.7	84 / 3.3	30 / 66	8.5@16 / 4.2	2 / 1,475	2.5 - 3.8 / 5,500 - 8,360
RC06 KMS40S	200 / 7.9	150 / 5.9	110 / 4.3	78 / 171	8.5@26 / 6.9	4.5 / 3,319	3.8 - 6 / 8,360 - 13,200
RC06 KMS45S	200 / 7.9	150 / 5.9	110 / 4.3	78 / 171	8.5@26 / 6.9	4.5 / 3,319	3.8 - 6 / 8,360 - 13,200
RC10 KMS45S	228 / 8.9	175 / 6.9	145 / 5.7	98 / 215	8.5@40 / 10.6	7.5 / 5,531	6 - 10 / 13,200 - 22,000
RC10 KMS50S	228 / 8.9	175 / 6.9	145 / 5.7	98 / 215	8.5@40 / 10.6	7.5 / 5,531	6 - 10 / 13,200 - 22,000

*w/o quick coupler and upper bracket; **@360° constant

Package consists of: upper bracket, rotation drive, mechanic quick coupler, socket

Hydraulic Rotary Couplers RC KHS-S

Type	Width A (mm/in)	Width B (mm/in)	Height C (mm/in)	Weight* (from kg/lbs)	Rotations/min (@l/min / GPM)	Torque** (kNm/ft.lb)	Operating weight (t/lbs)
RC02 KHS30S-150	150 / 5.9	120 / 4.7	84 / 3.3	30 / 66	8.5@4 / 1.1	0.6 / 443	0.9 - 2.6 / 1,980 - 5,720
RC02 KHS30S-180	150 / 5.9	120 / 4.7	84 / 3.3	30 / 66	8.5@4 / 1.1	0.6 / 443	0.9 - 2.6 / 1,980 - 5,720
RC04 KHS40S	150 / 5.9	120 / 4.7	84 / 3.3	30 / 66	8.5@16 / 4.2	2 / 1,475	2.5 - 3.8 / 5,500 - 8,360
RC06 KHS40S	200 / 7.9	150 / 5.9	110 / 4.3	78 / 171	8.5@26 / 6.9	4.5 / 3,319	3.8 - 6 / 8,360 - 13,200
RC06 KHS45S	200 / 7.9	150 / 5.9	110 / 4.3	78 / 171	8.5@26 / 6.9	4.5 / 3,319	3.8 - 6 / 8,360 - 13,200
RC10 KHS45S	228 / 8.9	175 / 6.9	145 / 5.7	98 / 215	8.5@40 / 10.6	7.5 / 5,531	6 - 10 / 13,200 - 22,000
RC10 KHS50S	228 / 8.9	175 / 6.9	145 / 5.7	98 / 215	8.5@40 / 10.6	7.5 / 5,531	6 - 10 / 13,200 - 22,000

*w/o quick coupler and upper bracket; **@360° constant

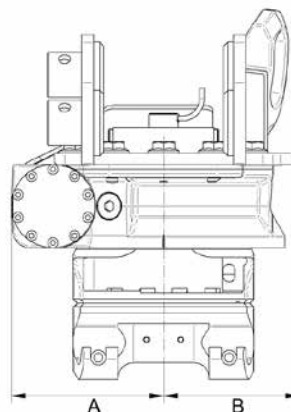
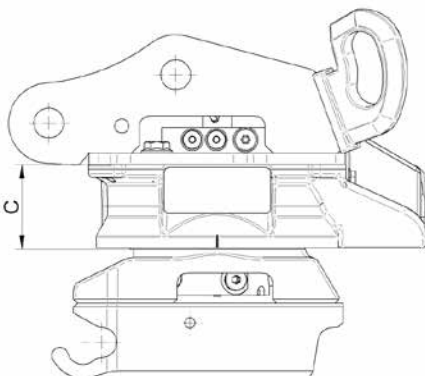
Package consists of: upper bracket, rotation drive, hydraulic quick coupler

Technical data and hydraulics RC

Type	Breakout force max. (ISO) (kN/kNm / lbf/ft.lb)	Bucket width max. (mm/in)	Recommended oil flow rotate (l/min / GPM)	Hydraulic pressure rotate max. (bar/psi)
RC02	28/20 / 6,160/14,750	800 / 31.5	3 - 4 / 0.8 - 1.1	175 / 2,520
RC04	32/23 / 7,040/16,963	1,100 / 43.3	6 - 16 / 1.6 - 4.2	175 / 2,520
RC06	43/35 / 9,460/25,813	1,200 / 47.2	18 - 26 / 4.8 - 6.9	250 / 3,600
RC10	75/79 / 16,500/58,263	1,600 / 63	30 - 40 / 7.9 - 10.6	250 / 3,600

Requirements of carrier machine for RC KHS-S

	Quick coupler	Rotation drive
Hydraulic system:	one single acting hydraulic circuit up to RC04 one double acting hydraulic circuit from RC06	one double acting hydraulic circuit
Note:	excavator needs to be equipped with quick coupler control	



With the compact RC rotary coupler you increase the freedom of movement in the entire working area of the excavator. Thanks to the robust and low construction (it is firmly bolted to the boom), the maximum breakaway and ripping forces are achieved.

In addition to the usual movement, each attachment can be endlessly rotated by 360°. This enables more flexible and faster work without moving the excavator.

The newly gained freedom of movement allows work to be carried out more precisely, which saves additional manual work steps.

Here in combination with the proven S-Lock quick coupling system.



RC06

- ▷ Compact and low design.
- ▷ More flexibility due to 360° rotation.
- ▷ Low height – thus high breakaway force.
- ▷ Low maintenance.
- ▷ Lower quick coupler with mechanic or hydraulic locking available.

Mechanic Rotary Couplers RC KMS-S

Type	Width A (mm/in)	Width B (mm/in)	Height C (mm/in)	Weight* (from kg/lbs)	Rotations/min (@l/min / @GPM)	Torque** (kNm/ft.lb)	Operating weight (t/lbs)
RC19 KMS60S	243 / 9.5	233 / 9.1	186 / 7.3	299 / 658	8.5@50 / @13.2	12 / 8,850	14 - 19 / 30,800 - 41,800
RC25 KMS70S	265 / 10.4	265 / 10.4	220 / 8.7	405 / 891	8.5@60 / @15.9	15 / 11,063	19 - 25 / 41,800 - 55,000
RC33 KMS70S	-	-	-	-	-	-	25 - 33 / 55,000 - 72,600

*w/o quick coupler and upper bracket; **@360° constant

Package consists of: upper bracket, rotation drive, mechanic quick coupler, socket

Hydraulic Rotary Couplers RC KHS-S

Type	Width A (mm/in)	Width B (mm/in)	Height C (mm/in)	Weight* (from kg/lbs)	Rotations/min (@l/min / @GPM)	Torque** (kNm/ft.lb)	Operating weight (t/lbs)
RC19 KHS60S	243 / 9.5	233 / 9.1	186 / 7.3	299 / 658	8.5@50 / @13.2	12 / 8,850	14 - 19 / 30,800 - 41,800
RC25 KHS70S	265 / 10.4	265 / 10.4	220 / 8.7	405 / 891	8.5@60 / @15.9	15 / 11,063	19 - 25 / 41,800 - 55,000
RC33 KHS70S	-	-	-	-	-	-	25 - 33 / 55,000 - 72,600

*w/o quick coupler and upper bracket; **@360° constant

Package consists of: upper bracket, rotation drive, hydraulic quick coupler

Technical data and hydraulics RC

Type	Breakout force max. (ISO) (kN/kNm / lbf/ft.lb)	Bucket width max. (mm/in)	Recommended oil flow rotate (l/min / GPM)	Hydraulic pressure rotate max. (bar/psi)
RC19	150/200 / 33,000/147,500	1,800 / 70.8	40 - 50 / 10.6 - 13.2	250 / 3,600
RC25	170/250 / 37,400/184,375	2,000 / 78.7	50 - 60 / 13.2 - 15.9	250 / 3,600
RC33	205/330 / 45,100/243,375	2,200 / 86.6	60 - 80 / 15.9 - 21.1	250 / 3,600

Requirements of carrier machine for RC KHS-S

	Quick coupler	Rotation drive
Hydraulic system:	one double acting hydraulic circuit	one double acting hydraulic circuit
Note:	excavator needs to be equipped with quick coupler control	

